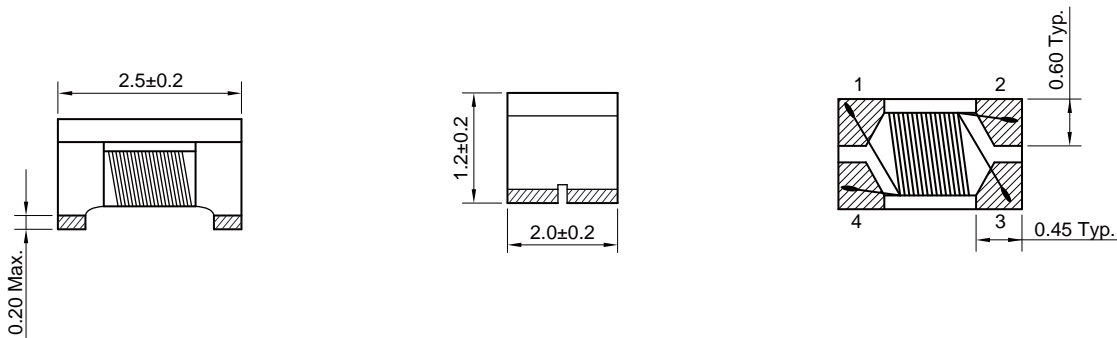


## Common Mode Filter Size 2520

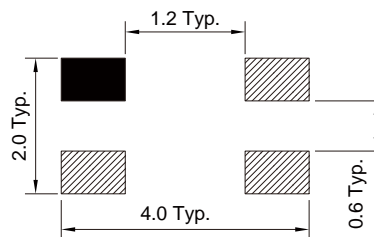


- High common mode impedance for outstanding noise suppression performance.
  - Realize small size and low profile. 0\*0\*2mm
  - Operating temperature -40~+125 C
  - Excellent solderability
- 
- USB2.0 lines for PC, TV, Peripheral equipments
  - Standard signal lines
  - Audio lines

### Dimensions: [mm]



### Schematic:

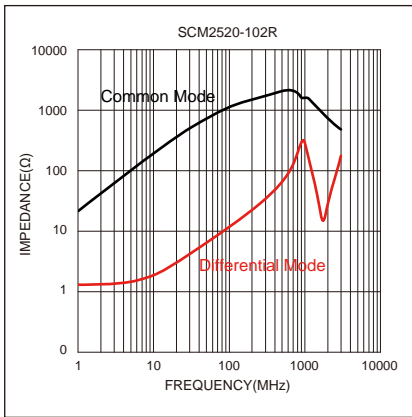
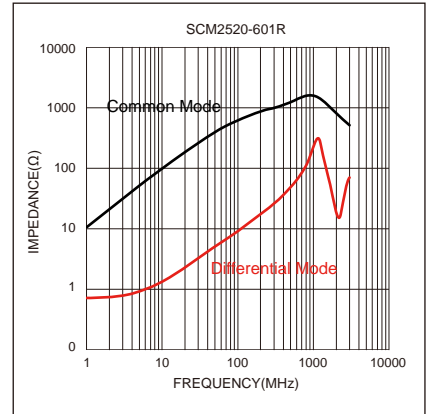
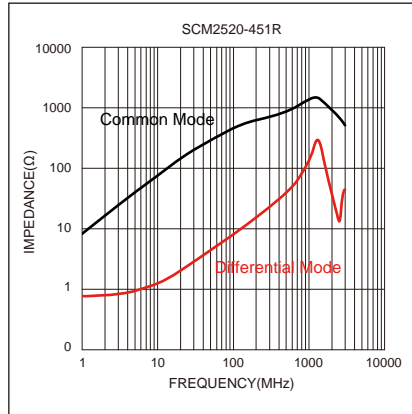
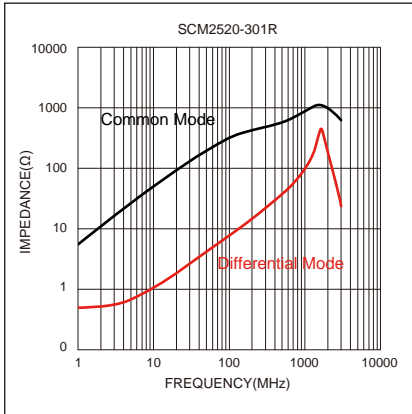


### Electrical Properties:

Part No	Impedance @ 100 MHz (Ω)	Tolerance	DC Resistance Max. (Ω)	Rated Current Max. (mA)	Rated Volt Max. (V)	IR Min. (MΩ)
SCM2520-301R	300	±25%	0.25	400	50	10
SCM2520-451R	450	±25%	0.30	350	50	10
SCM2520-601R	600	±25%	0.38	330	50	10
SCM2520-102R	1000	±25%	0.50	240	50	10

# Typical Electrical Characteristics:

## Impedance VS Frequency



## Cautions and Warnings:

### Storage Conditions:

- The storage period is within 12 months after the completion of production. Be sure to follow the storage conditions (temperature: -5 to 35°C, humidity: 75% RH Max). If the storage period elapses, the soldering of the terminal electrodes may deteriorate. The warranty period is one year.

- 

- 

- 

### Operation Instructions:

- 

- 

- 

-