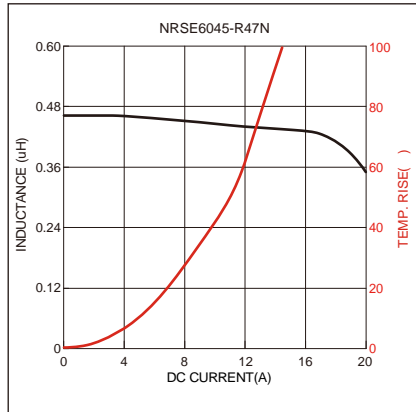


Typical Electrical Characteristics:



| | | | | | |
|--|--|--|--|--|------------------|
| | | | | | KOHERelec |
| | | | | | |
| | | | | | |
| | | | | | |

Soldering Reflow:

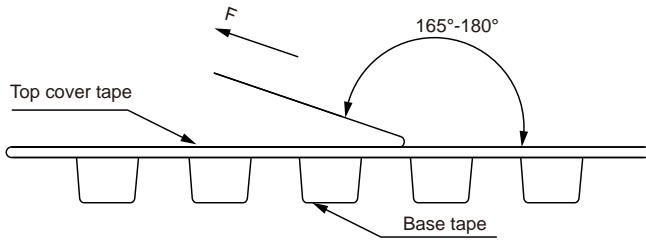
Packaging Information:

Tape Dimension :

| Series | A0 (mm) | B0 (mm) | | | | |
|----------|------------|------------|----------|----------|-----------|-----------|
| NRSE6045 | 6.4± 0.1 | 6.4± 0.1 | 1.5± 0.1 | 4.0± 0.1 | 12.0± 0.1 | 16.0± 0.3 |

| | | | | | |
|--|--|--|--|--|------------------|
| | | | | | KOHERelec |
| | | | | | |
| | | | | | |
| | | | | | |
| | | | | | |

Peel force of top cover tape:

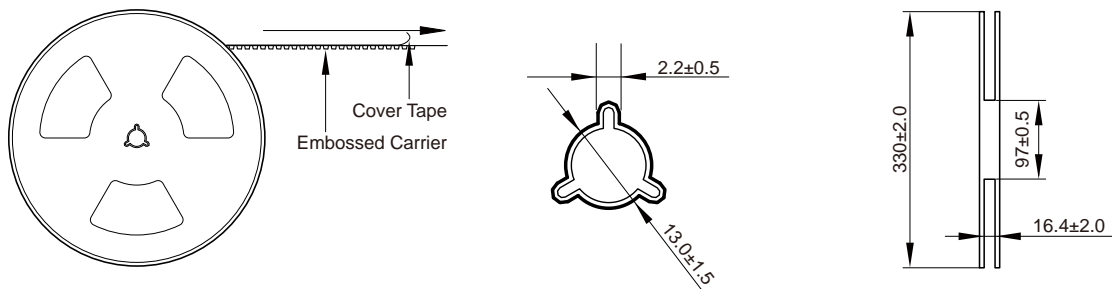


The peel force of top cover tape shall be between 0.3 to 1.17 N

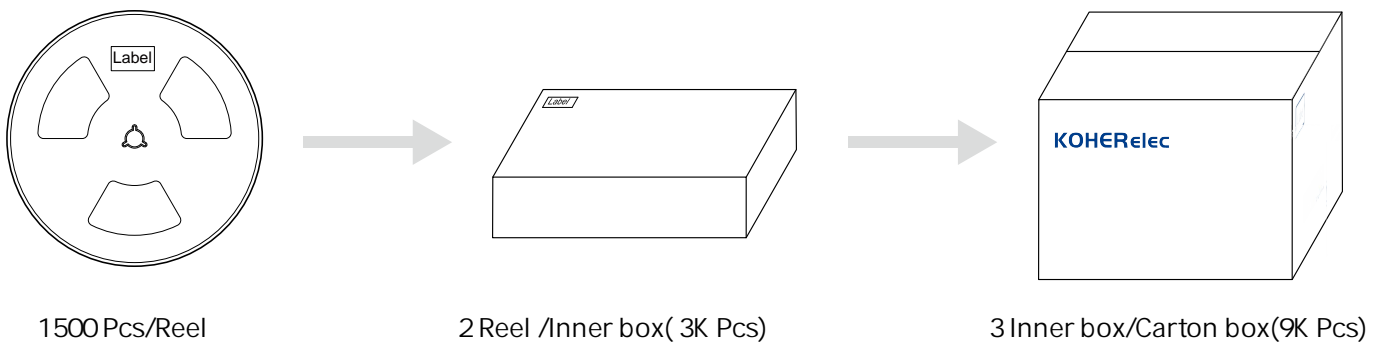
Product Marking:

| | |
|---------|----------------------|
| Marking | Printing Inductance) |
|---------|----------------------|

Reel Dimension : [mm]



Packaging Quantity:



| | | | | | |
|--|--|--|--|--|------------------|
| | | | | | KOHERelec |
| | | | | | |
| | | | | | |
| | | | | | |
| | | | | | |

Cautions and Warnings:

Storage Conditions :

- The storage period is within 12 months after the completion of production. Be sure to follow the storage conditions (temperature: -5 to 35°C, humidity: 75% RH Max).If the storage period elapses, the soldering of the terminal electrodes may deteriorate.The warranty period is one year.
- Product should not be exposed to environment with high temperature, high humidity, dust, corrosive gas and etc.
- Products should be handled with care to avoid damage or contamination from perspiration and skin oils.
- Please always handle products carefully to prevent any damage caused by dropping down or inappropriate removing.

Operation Instructions:

- Self heating (temperature increase) occurs when the power is turned ON, so the tolerance should be sufficient for the set thermal design.
- Before soldering, be sure to preheat components.The preheating temperature should be set so that the temperature difference between the solder temperature and chip temperature does not exceed 150°C.
- Soldering corrections after mounting should be within the range of the conditions determined in the specifications.If overheated, a short circuit, performance deterioration, or lifespan shortening may occur.
- Generally, Koher might not be familiar with either customer's specific application or actual requests as customer does.As a result customer shall be responsible for checking and confirming whether Koher product with the performance described in the product specification is suitable for using in customer's particular application or not.

| | | | | | |
|--|--|--|--|--|-------------------|
| | | | | | KOHER elec |
| | | | | | |
| | | | | | |
| | | | | | |
| | | | | | |