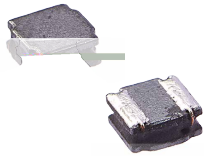


NRSA Series

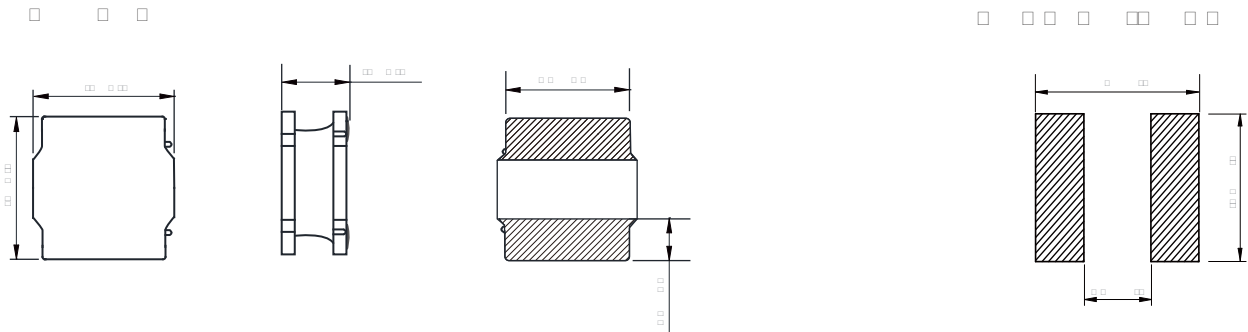


FEATURES

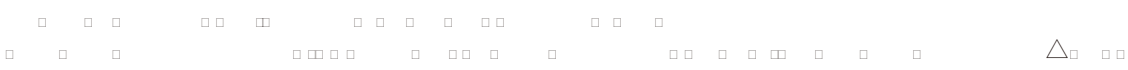
-
-
-
-
-
-

APPLICATION

-



Part No	Inductance @ 100KHz/1V (μH)	Tolerance	Temperature Rise Current Typ. (A)	Temperature Rise Current Max. (A)	Saturation Current Typ. (A)	Saturation Current Max. (A)	DC Resistance ±20% (mΩ)



□ □ □ □ □ □ □ □ □

