

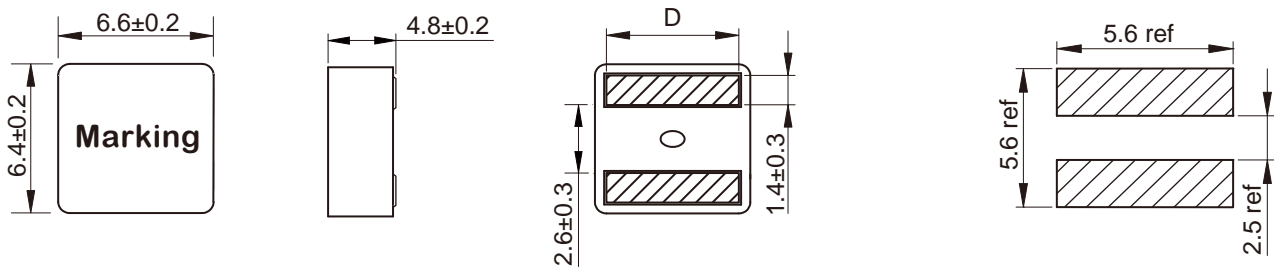
Wire Wound Molded SMD Power Inductors Size 6050



C

Dimensions: [mm]

Land Pattern: [mm]

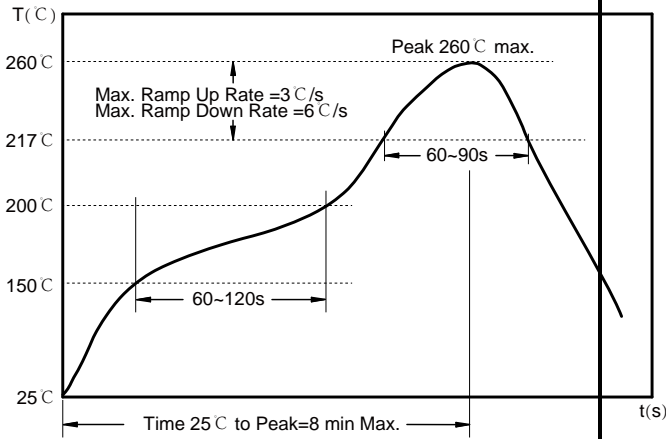


Electrical Properties:

Part No	Inductance @ 100KHz/0.1V (μ H)	Tolerance	Saturation Current Typ. (A)	Saturation Current Max. (A)	Temperature Rise Current Typ. (A)	DC Resistance Max. (m Ω)	D (mm)

Saturation Current will cause L to drop approximately 30%
 Temperature Rise Current: The actual value of DC current when the temperature rise is $\Delta T=40^{\circ}\text{C}$

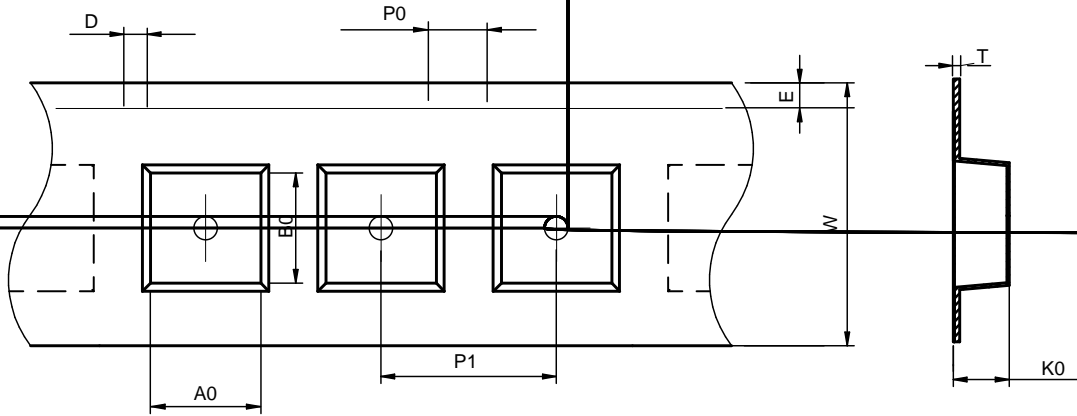
Soldering Reflow:



Preheat condition: 150 ~ 200°C / 60~120 sec.
 Allowed time above 217°C: 60~90 sec.
 Max temperature: 260°C.
 Max time at max temperature: 10 sec.
 Allowed Reflow time: 2x max

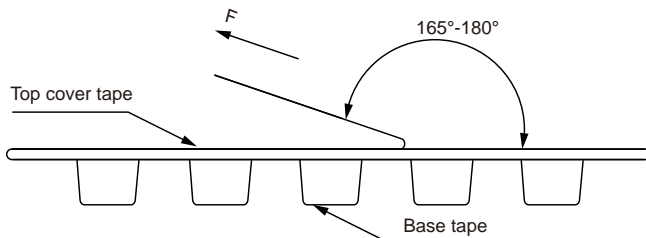
Packaging Information:

Tape Dimension:



Series	A0 (mm)	B0 (mm)	D (mm)	P0 (mm)	P1 (mm)	W (mm)	K0 (mm)	E (mm)	T (mm)
MDTE6050	7.0±0.1	6.8±0.1	1.5±0.1	4.0±0.1	12.0±0.1	16.0±0.3	5.3±0.1	1.75±0.1	0.35±0.05

Peel force of top cover tape:

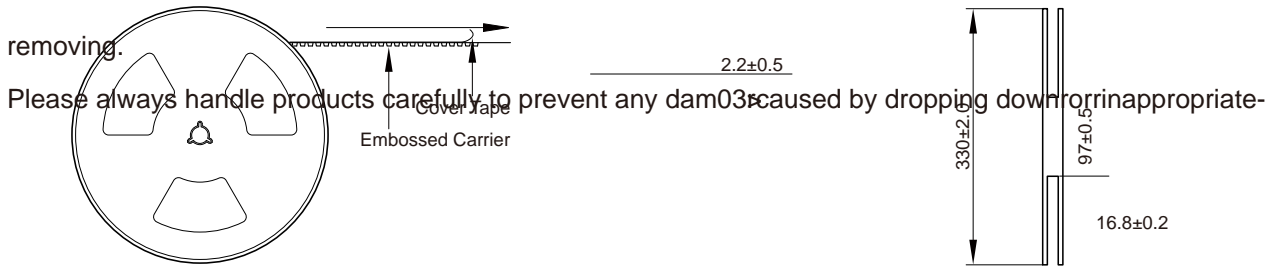


The peel force of top cover tape shall be between 0.1 to 1.3 N

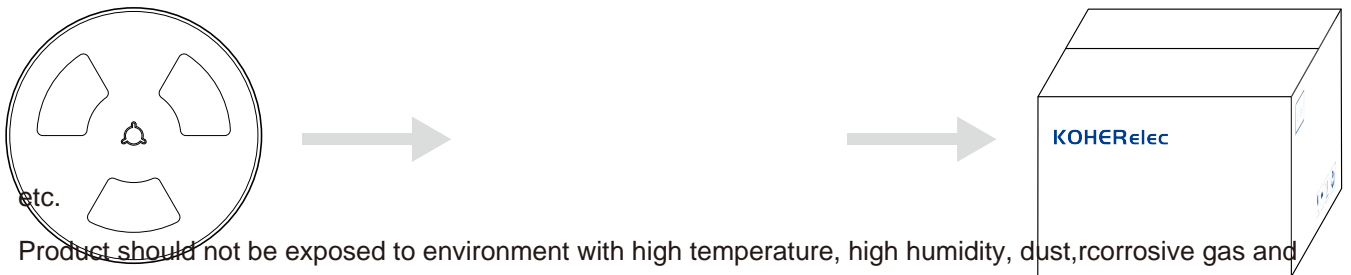
Product Marking:

Marking	Printing (Inductance)
---------	-----------------------

Reel Dimension: [mm]



Packaging Quantity: Please handle with care to avoid damage or contamination from perspiration and skin oils.



800 Pcs/Reel

2 Reel /Inner box(1600 Pcs)

3 Inner box/Carton box(4.8K Pcs)

Cautions and Warnings:

terminal electrodes may deteriorate.

Storage Conditions:

temperature: -5 to 35°C, humidity: 75% RH Max). If a long period elapses, soldering of terminals

- The storage period is within 12 months after completion of production. Be sure to follow the conditions

-
-
-

Operation Instructions:

-
-
-
-