

# BCMA Series

Common Mode Filters For Automotive Signal Line/Power Line  
Size 9030



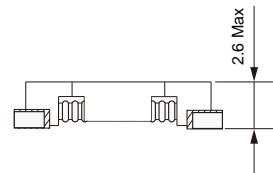
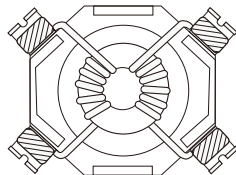
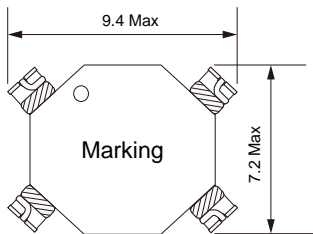
## FEATURES

- 
- 
- 
- 
- 

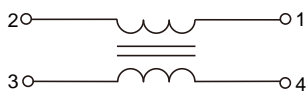
## APPLICATION

- 
- 
- 
- 
- 

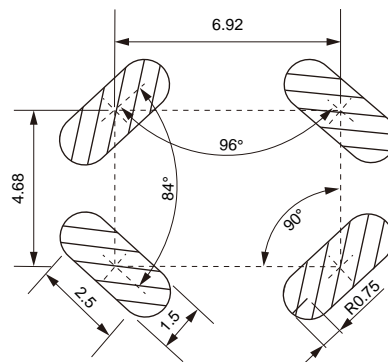
Dimensions: [mm]



Schematic:



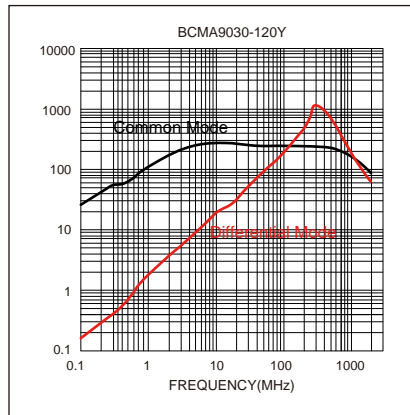
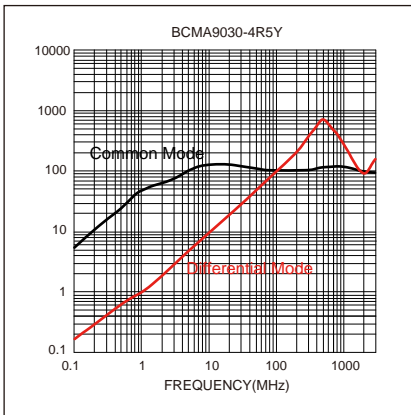
Land Pattern: [mm]



## Electrical Properties:

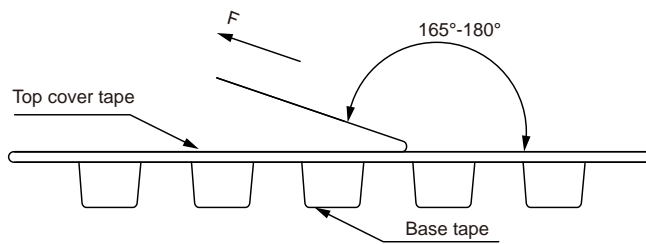

Temperature Rise Current: The actual value of DC current when the temperature rise is  $\Delta T=40^{\circ}\text{C}$

## Typical Electrical Characteristics:



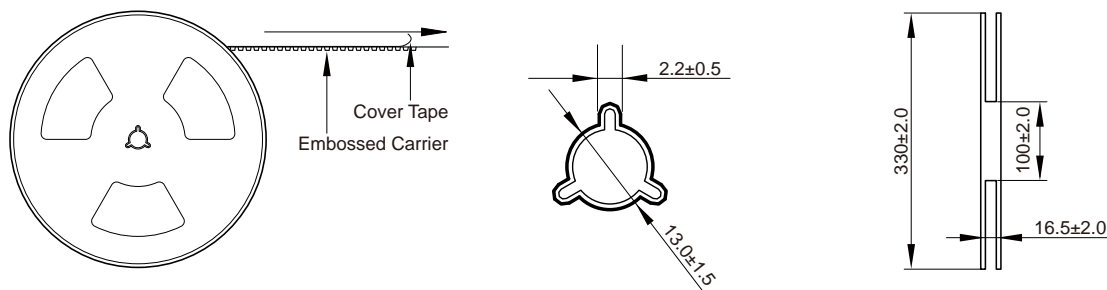


### Peel force of top cover tape:

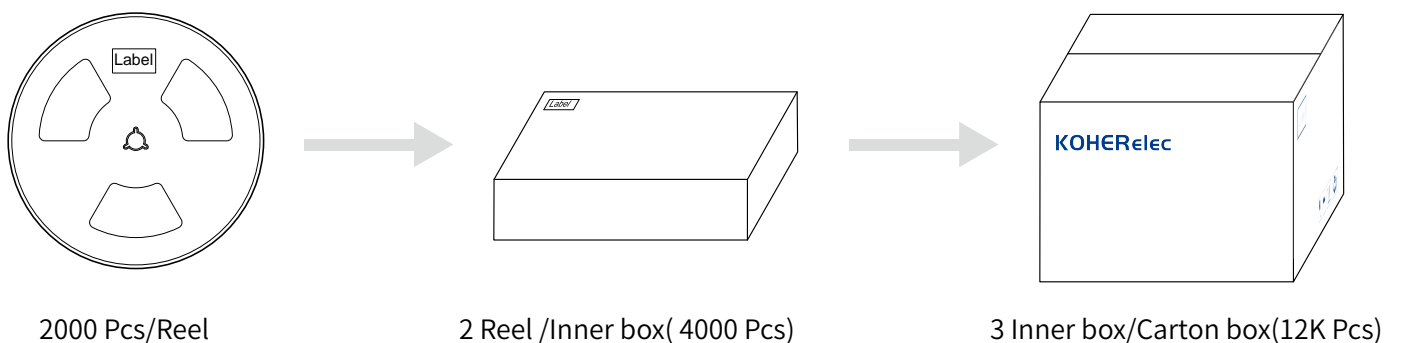


The peel force of top cover tape shall be between 0.20 to 1.17 N

### Reel Dimension: [mm]



### Packaging Quantity:



## Cautions and Warnings:

### Storage Conditions:

- The storage period is within 12 months after the completion of production. Be sure to follow the storage conditions (temperature: -5 to 35°C, humidity: 75% RH Max). If the storage period elapses, the soldering of the terminal electrodes may deteriorate. The warranty period is one year.
- Product should not be exposed to environment with high temperature, high humidity, dust, corrosive gas and etc.
- Products should be handled with care to avoid damage or contamination from perspiration and skin oils.
- Please always handle products carefully to prevent any damage caused by dropping down or inappropriate removing.

### Operation Instructions:

- Self heating (temperature increase) occurs when the power is turned ON, so the tolerance should be sufficient for 058 r dn
- 
- 
-